

Catalog No. 4X4QR2018

Weatherly No. 090

2018

Supersedes No. 4X4QR2015



2018  
**4x4**  
Catalog

**neapco**<sup>®</sup>  
Components

*The Driveline Company Since 1924*

NEAPCO

# Gold SERIES

## PREMIUM UNIVERSAL JOINTS

NEAPCO Gold Series Universal Joints:

- 1310-1550 Universal Joint Series
- Lubricated for life
  - *High performance sealing system*
- Meets OEM performance standards
- Covered by NEAPCO's extended warranty
- Backed by NEAPCO's superior customer service



*neapco*  
Components

# IMPORTANT INFORMATION

Issue Date 2018  
Catalog 4x4QR 2018

**Please read the following important information before using this Catalog:**

**ALWAYS CONSULT AND REVIEW THE ORIGINAL MANUFACTURERS INSTRUCTION MANUAL(S) TO DETERMINE THE APPROPRIATE INSTALLATION PROCEDURES FOR A PARTICULAR VEHICLE APPLICATION.**

**FOR THE LATEST INFORMATION ALWAYS REFER TO THE NEAPCO eCATALOG**

## IMPORTANT NOTICE

The data listed in this catalog is correct to the best of our knowledge, having been compiled from sources of information which we believe to be reliable. However, we cannot assume any responsibility for possible error. Parts included in this catalog are manufactured for use only in the intended O.E.M. vehicle application(s). Installation and use in a vehicle that has been modified to any degree that is not consistent and equivalent to O.E.M. production specifications for the vehicle application(s) may result in reduced life or possible premature part failure.

## WARRANTY

We warrant to the original purchaser all new parts to be free of defects in material and workmanship when such parts are used on applications which have been approved by our Engineering Department, but not against damage caused by negligence or abuse.

Our obligations and liabilities under this Warranty shall be limited to replacing or repairing such parts if found upon inspection by us to be defective.

OUR WARRANTIES ARE STRICTLY LIMITED TO THOSE JUST STATED. WARRANTIES OF MERCHANTABILITY OR FITNESS FOR A PARTICULAR PURPOSE AND ALL IMPLIED WARRANTIES ARISING FROM A COURSE OF DEALING, USAGE OR TRADE, BY STATUTE OR OTHERWISE ARE HEREBY DISCLAIMED, and in the event of breach of any warranty or any legal action brought by buyer based on alleged negligence or other tortious conduct of us, buyer's sole and exclusive remedy will be replacement of defective material as stated above. WE WILL NOT BE LIABLE FOR INCIDENTAL, CONSEQUENTIAL OR CONTINGENT DAMAGES OF ANY KIND. We make no warranty whatsoever with respect to component parts or accessories not supplied by us.

Copyright© 2018 Neapco, LLC Pottstown, Pennsylvania.  
All rights reserved. No part of this book can be reproduced in any form  
without specific written permission from the copyright owner.  
Produced in The United States of America.

## 4x4 Quick Reference

# TABLE OF CONTENTS

<b><i>Section</i></b>	<b><i>Page Number</i></b>
<b><i>NEAPCO Premium Gold Series- Lube for Life Universal Joints</i></b>	<b><i>Inside Front Cover</i></b>
<b><i>Jeep 2007-2017 JK Long Slip High Angle Components</i></b>	<b><i>3-7</i></b>
<b><i>Dodge / Ram 4x4 Long Slip High Angle Components</i></b>	<b><i>8-9</i></b>
<b><i>Ford 4x4 Long Slip High Angle Components</i></b>	<b><i>10-11</i></b>
<b><i>Rock Crawler Driveshaft Components</i></b>	<b><i>12</i></b>
<b><i>Special High Speed CV Conversion Flanges</i></b>	<b><i>13</i></b>
<b><i>Double Cardan CV Assemblies</i></b>	<b><i>14-17</i></b>
<b><i>Unwelded Driveshaft Kits</i></b>	<b><i>18-21</i></b>
<b><i>Neapco Silver Series- Lubeable Universal Joints</i></b>	<b><i>Inside Back Cover</i></b>

# JEEP 2007-2017 JK

## Long Slip High Angle Components

DOUBLE CARDAN SPECIFICATIONS													
DL Series	CV Head Style	Tubing Dia. And Wall	Butt Dia.	CL To Point Of Weld	CL To CL Of Center Yoke	Pilot Dia.	Bolt Circle	Bolt Hole Spacing Height	Bolt Hole Spacing Width	Hole / Thread Size	Overall Length	Joint Angle	Part Number
1310	Half Round	2.000 X.120	1.77	1.44	2.69	—	—	2.34	1.50	0.31-24UNF	4.12	26	N912777G*
1350	Flange	2.000 X.120	1.77	1.44	2.88	3.12	4.25	—	—	0.46	5.94	32	N921049G*
1350	Flange	2.500 X.095	2.32	1.44	2.88	3.12	4.25	—	—	0.46	5.94	32	N921050G*

\* Part numbers with G suffix have Gold Series lube-for-life universal joints

END YOKE SPECIFICATIONS							
DL Series	UJ Retention	Spline / Number Teeth	Hub Dia.	Length Through Bore	CL To End Of Hub	Joint Angle	Part Number
1310HR	CV	1.401-32	1.94	2.00	3.84	13	N2-4-JK03
1310HR	U-Bolt	1.250-24	1.85	1.50	3.00	22	N2-4-JK06
1310HR	U-Bolt	1.250-24	1.88	1.50	3.00	22	N2-4-JK02
1350HR	U-Bolt	1.250-24	1.85	1.50	3.10	22	N3-4-JK08
1350HR	U-Bolt	1.250-24	1.88	1.50	3.10	22	N3-4-JK04

SLIP YOKE SPECIFICATIONS							
DL Series	Spline / Number Teeth	CL To End Of Spline	CL To Face Washer	Joint Angle	Lube Fitting Part Number	Dust Cap	Part Number
1310	1.500-16	8.09	1.53	30	0641-B	ND3K	N2-3-6071KX
1350	1.500-16	8.44	1.78	35	0641-B	ND3K	N3-3-8081KX

STUB SHAFT SPECIFICATIONS						
Spline / Number Teeth	Tubing Dia. And Wall	Butt Dia.	Length Of Spline	End Of Spline To Radius	End Of Spline To Weld	Part Number
1.500-16	2.000X.120	1.77	6.53	7.70	8.76	N3-40-2012
1.500-16	2.500X.083	2.34	6.53	7.70	8.76	N3-40-2508
1.500-16	2.500X.095	2.32	6.53	7.70	8.76	N3-40-2509

COMPANION FLANGE SPECIFICATIONS								
DL Series	Flange Face To End	Hole/Thread Size	Hub Dia.	Number Of Bolt Holes	Pilot Dia.	Bolt Circle	Spline / Number Teeth	Part Number
1350	2.53	0.44-20	1.94	4	3.12-M	4.25	1.401-32	N3-1-JK05
1350	3.81	0.44-20	1.94	4	3.12-M	4.25	1.401-32	N3-1-JK07

# 4x4 Quick Reference

## Front Shaft - 1310 Series

APPLICATION	PART NO.	PART TYPE
JEEP JK 1310 FRONT Long Slip	N2-4-JK06	END YOKE
	1-0153G	LUBE-FOR-LIFE UNIVERSAL JOINT
	N2-3-6071KX	SLIP YOKE
	N3-40-2012	STUB
	2.00X0.120	TUBE
	N912777G	DOUBLE CARDAN CV HEAD
	N2-4-JK03	END YOKE



## Rear Shaft - 1310 Series

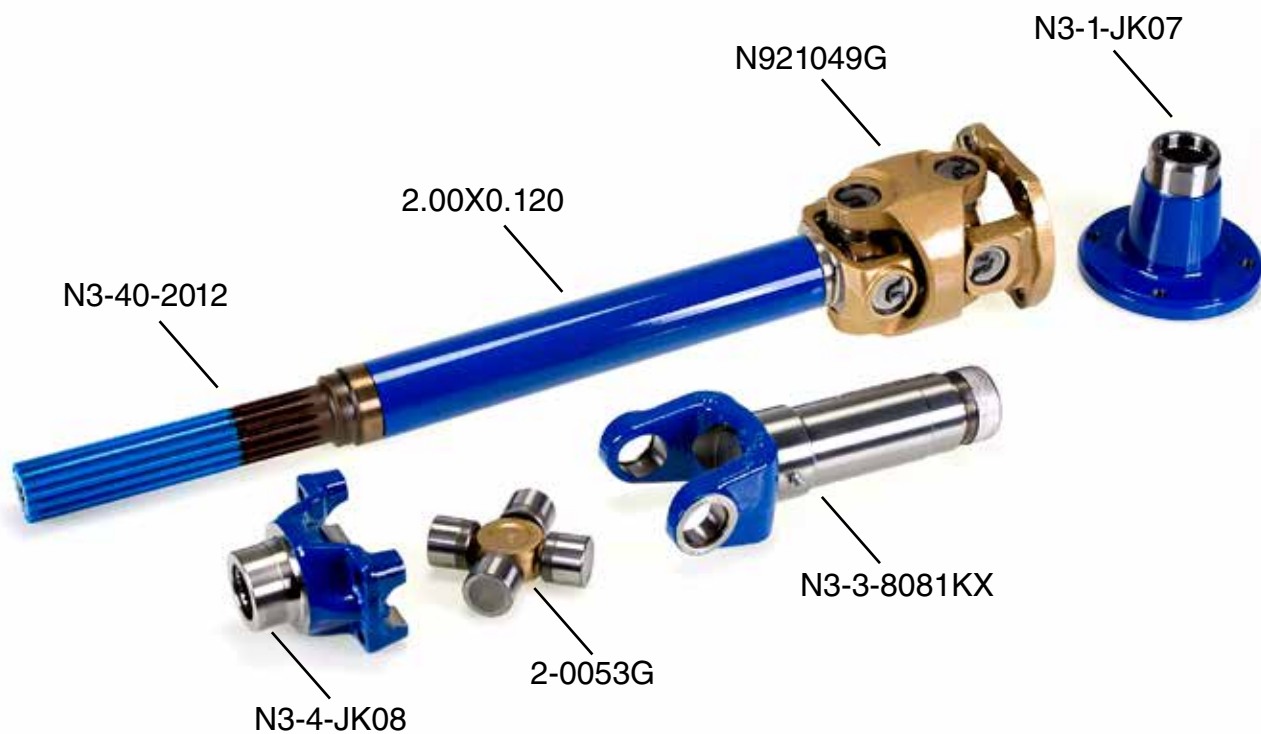
APPLICATION	PART NO.	PART TYPE
<b>JEEP JK 1310</b> <b>REAR</b> <b>Long Slip</b>	N2-4-JK03	END YOKE
	N912747G	DOUBLE CARDAN CV HEAD
	2.50X0.083	TUBE
	N3-40-2508	STUB
	N2-3-6071KX	SLIP YOKE
	1-0153G	LUBE-FOR-LIFE UNIVERSAL JOINT
	N2-4-JK02	END YOKE



# 4x4 Quick Reference

## Front Shaft - 1350 Series

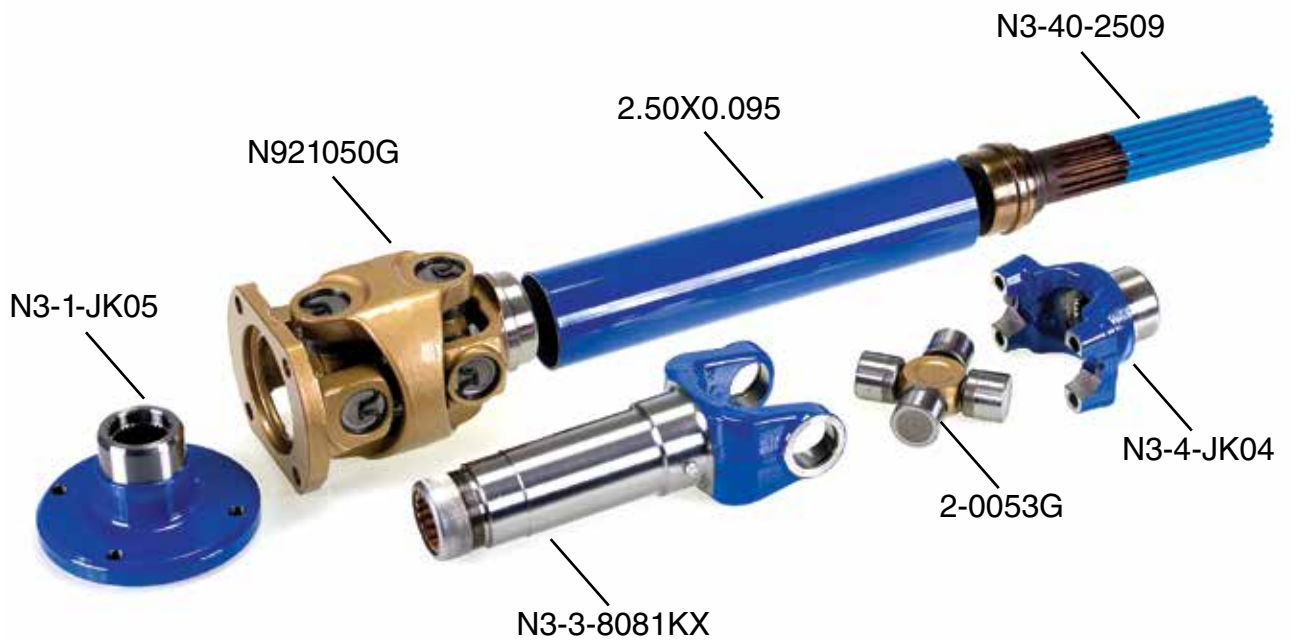
APPLICATION	PART NO.	PART TYPE
Jeep JK 1350 FRONT Long Slip	N3-4-JK08	END YOKE
	2-0053G	LUBE-FOR-LIFE UNIVERSAL JOINT
	N3-3-8081KX	SLIP YOKE
	N3-40-2012	STUB
	2.00X0.120	TUBE
	N921049G	DOUBLE CARDAN CV HEAD
	N3-1-JK07	COMPANION FLANGE





## Rear Shaft - 1350 Series

APPLICATION	PART NO.	PART TYPE
<b>JEEP JK 1350 REAR Long Slip</b>	N3-1-JK05	COMPANION FLANGE
	N921050G	DOUBLE CARDAN CV HEAD
	2.50X0.095	TUBE
	N3-40-2509	STUB
	N3-3-8081KX	SLIP YOKE
	2-0053G	LUBE-FOR-LIFE UNIVERSAL JOINT
	N3-4-JK04	END YOKE



## 4x4 Quick Reference

# DODGE/RAM 4x4 Long Slip High Angle Components

### DOUBLE CARDAN SPECIFICATIONS

DL Series	CV Head Style	Tubing Dia. And Wall	Butt Dia.	CL To Point Of Weld	CL To CL Of Center Yoke	Pilot Dia.	Bolt Circle	Hole/Thread Size	Overall Length	Joint Angle	Part Number
1410	Flange	2.500 X.120	2.26	2.10	3.48	3.12	4.25	0.46	7.32	30	N924141HAG*

\* Part numbers with G suffix have Gold Series lube-for-life universal joints

### FLANGE YOKE SPECIFICATIONS

DL Series	Pilot Dia.	Bolt Circle	Hole /Thread Size	Flange Face To CL	Number Of Bolt Holes	Joint Angle	Part Number
1410	2.00-F	4.25	0.50	1.65	4	20	N3-2-1819

### SLIP YOKE SPECIFICATIONS

DL Series	Spline / Number Teeth	CL To End Of Spline	CL To Face Washer	Joint Angle	Lube Fitting Part Number	Dust Cap	Part Number
1410	1.500-16	7.81	1.31	28	0641-B	ND3A	N3-3-508KX

### STUB SHAFT SPECIFICATIONS

Spline / Number Teeth	Tubing Dia. And Wall	Butt Diameter	Length Of Spline	End Of Spline To Radius	End Of Spline To Weld	Part Number
1.500-16	2.500X.120	2.27	6.53	7.70	8.76	N3-40-2512

## Front Shaft - 1410 Series

APPLICATION	PART NO.	PART TYPE
RAM / DODGE 1410 FRONT Long Slip	N3-2-1819	FLANGE YOKE
	2-0054G	LUBE-FOR-LIFE UNIVERSAL JOINT
	N3-3-508KX	SLIP YOKE
	ND3K	SEAL
	N3-40-2512	STUB
	2.50X0.120	TUBE
	N924141HAG	DOUBLE CARDAN CV HEAD



## 4x4 Quick Reference

# FORD 4x4 Components

## Long Slip High Angle Components

DOUBLE CARDAN SPECIFICATIONS											
DL Series	CV Head Style	Tubing Dia. And Wall	Butt Dia.	CL To Point Of Weld	CL To CL Of Center Yoke	Pilot Dia.	Bolt Circle	Hole/Thread Size	Overall Length	Joint Angle	Part Number
1410	Flange	2.500 X.120	2.26	2.10	3.48	2.68	4.25	0.50	7.32	30	<b>N924143HAG*</b>
* Part numbers with G suffix have Gold Series lube-for-life universal joints											

FLANGE YOKE SPECIFICATIONS							
DL Series	Pilot Dia.	Bolt Circle	Hole /Thread Size	Flange Face To CL	Number Of Bolt Holes	Joint Angle	Part Number
1410	2.95-F	4.75	0.50	2.00	4	25	<b>N3-2-1839</b>

SLIP YOKE SPECIFICATIONS							
DL Series	Spline / Number Teeth	CL To End Of Spline	CL To Face Washer	Joint Angle	Lube Fitting Part Number	Dust Cap	Part Number
1410	1.500-16	7.81	1.31	28	0641-B	ND3A	<b>N3-3-508KX</b>

STUB SHAFT SPECIFICATIONS						
Spline / Number Teeth	Tubing Dia. And Wall	Butt Diameter	Length Of Spline	End Of Spline To Radius	End Of Spline To Weld	Part Number
1.500-16	2.500X.120	2.27	6.53	7.70	8.76	<b>N3-40-2512</b>

## Front Shaft - 1410 Series

APPLICATION	PART NO.	PART TYPE
FORD 1410 FRONT Long Slip	N3-2-1839	FLANGE YOKE
	2-0054G	LUBE-FOR-LIFE UNIVERSAL JOINT
	N3-3-508KX	SLIP YOKE
	ND3K	SEAL
	N3-40-2512	STUB
	2.50X0.120	TUBE
	N924143HAG	DOUBLE CARDAN CV HEAD



# Rock Crawler

## Driveshaft Assembly Components

*20 Inch Extreme Length Slip*



### For Off Road Applications Only

This driveline assembly provides the driveline specialist a solution for the off road rock crawlers that require a long slip driveshaft due to high lift kits and extreme suspension travel.

## 1310 Series Assembly Components Listing

Part No.	Part Description
2231-3	Long Spline Stub Shaft 1.625 – 10 spline (Overall Length 27.88" Spline Length 25.5" )
53-2415	Sleeve <i>Note: 53-2415 sleeve must be turned down to accept 2.00" x .120 tubing</i>
N2-4-803-1	End yoke (weld, 1.375 bore blank)
N2-28-1757 <b>1</b>	Tube Weld Yoke 2.00 x .120
N16-30-102-72	2.00X0.120 Tubing

**1** If a Double Cardan CV is desired use N912777 in place of the N2-28-1757 tube weld yoke.

# Special Conversion Flanges

DOUBLE CARDAN CV FLANGE YOKE SPECIFICATIONS						
DL Series	Pilot Dia.	Bolt Circle	Hole/Thread Size	Number Of Bolt Holes	Flange Face To CL	Part Number
1310HR	3.94-M	3.39	0.32	6	2.91	N2-83-206



**N2-83-206**

**Application Summary:** 1310 Series Dakota, Durango, Cherokee Conversion - High Speed CV to Double Cardan

FLANGE YOKE SPECIFICATIONS							
DL Series	Pilot Dia.	Bolt Circle	Hole/Thread Size	Flange Face To CL	Number Of Bolt Holes	Joint Angle	Part Number
1310	3.92-M	3.39	0.32	2.31	8	20	N2-2-392
1310	3.94-M	3.39	0.32	2.19	6	20	N2-2-206



**N2-2-392**

**Application Summary:** 1310 Series Jeep JK Conversion - High Speed CV joint with 8 bolts on rear driveshafts to Cardan Joint

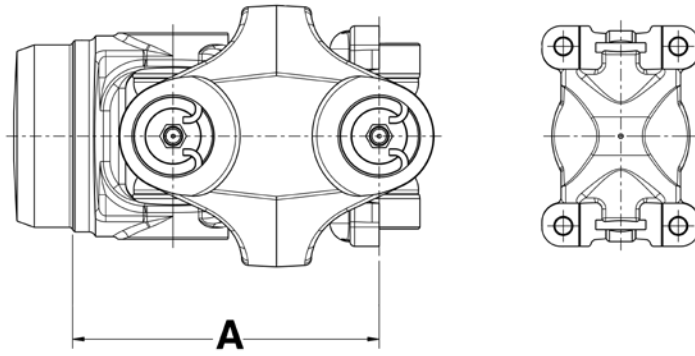


**N2-2-206**

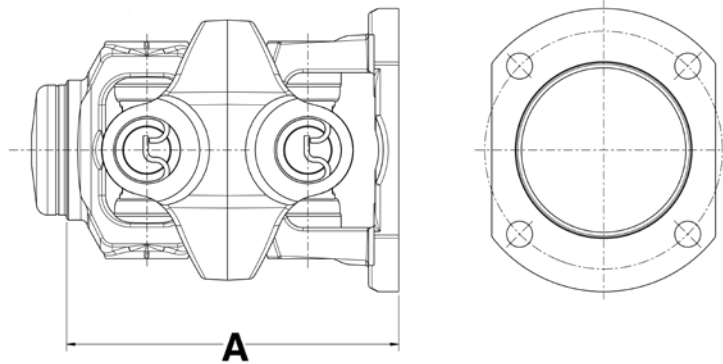
**Application Summary:** 1310 Series Dakota, Durango, Cherokee Conversion - High Speed CV to Double Cardan

# 4x4 Quick Reference

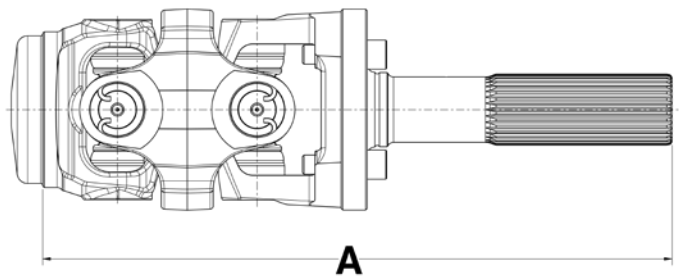
## DOUBLE CARDAN C.V. HEAD ASSEMBLY - DIAGRAMS



**Half Round**



**Flange**



**Flange Stub**



# 4x4 Quick Reference

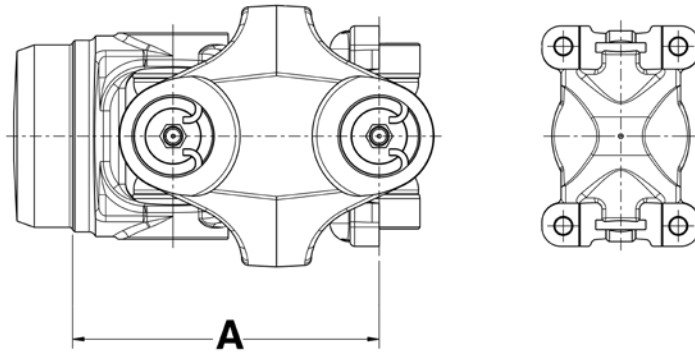
## DOUBLE CARDAN C.V. HEAD ASSEMBLY

DL Series	DC Head Style	Tubing Dia. And Wall	Flange Pilot Dia.	Flange Bolt Circle	Bolt Hole Spacing Height	A Overall Length	Joint Angle	Common Applications	Part Number
<b>1310 Series</b>									
1310	Flange	2.000 X.120	2.00	3.50	—	5.75	26	Ford - Front	<b>N913877</b>
1310	Flange	2.000 X.120	2.00	3.50	—	5.75	26	Ford - Front	<b>N913877G*</b>
1310	Flange	2.500 X.083	2.00	3.50	—	5.75	26	Ford - Front	<b>N919279</b>
1310	Flange	2.500 X.083	2.00	3.50	—	5.75	26	Ford - Front	<b>N919279G*</b>
1310	Flange Stub	2.000 X.120	2.00	3.00	—	12.12	26	GM - Front	<b>N913601</b>
1310	Flange Stub	2.000 X.120	2.00	3.00	—	12.12	26	GM - Front	<b>N913601G*</b>
1310	Flange Stub	3.000 X.083	2.00	3.00	—	12.12	26	GM - Front	<b>N913600</b>
1310	Half Round	2.000 X.120	—	—	2.34	4.12	26	Jeep	<b>N912777</b>
1310	Half Round	2.000 X.120	—	—	2.34	4.12	26	Jeep	<b>N912777G*</b>
1310	Half Round	2.500 X.083	—	—	2.34	4.12	26	Dodge, GM, Jeep	<b>N912747</b>
1310	Half Round	2.500 X.083	—	—	2.34	4.12	26	Dodge, GM, Jeep	<b>N912747G*</b>
1310	Half Round	3.000 X.083	—	—	2.34	4.12	26	Dodge, GM, Jeep	<b>N912937</b>
1310	Half Round	3.000 X.083	—	—	2.34	4.12	26	Dodge, GM, Jeep	<b>N912937G*</b>
<b>1330 Series</b>									
1330	Half Round	2.000 X.120	—	—	2.88	4.12	18	Dodge, Ford - Front	<b>N910810</b>
1330	Half Round	2.500 X.083	—	—	2.88	4.12	18	Dodge, Ford - Front	<b>N910811</b>
1330	Half Round	2.500 X.083	—	—	2.88	4.12	18	Dodge, Ford - Front	<b>N910811G*</b>
1330	Half Round	3.000 X.065	—	—	2.88	4.19	18	Dodge, Ford - Front	<b>N910812</b>

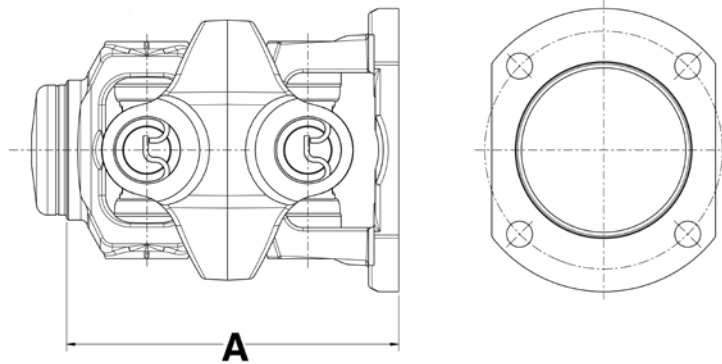
\* Part numbers with G suffix have Gold Series lube-for-life universal joints.

# 4x4 Quick Reference

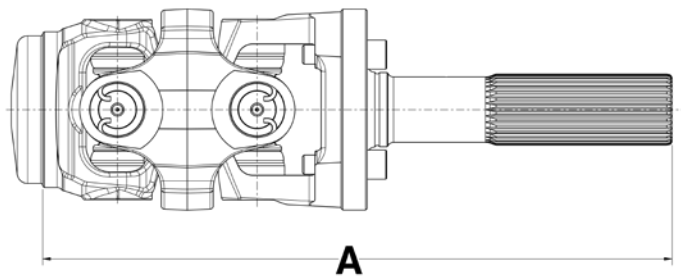
## DOUBLE CARDAN C.V. HEAD ASSEMBLY - DIAGRAMS



**Half Round**



**Flange**



**Flange Stub**

## 4x4 Quick Reference

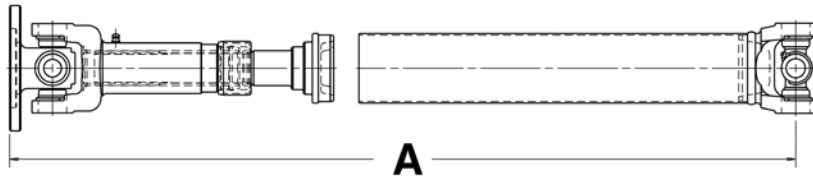
### DOUBLE CARDAN C.V. HEAD ASSEMBLY (Cont'd)

DL Series	DC Head Style	Tubing Dia. And Wall	Flange Pilot Dia.	Flange Bolt Circle	Bolt Hole Spacing Height	A Overall Length	Joint Angle	Common Applications	Part Number
<b>1350 Series</b>									
1350	Flange	2.000 X.120	2.00	4.25	—	5.94	32	Ford - Front	<b>N921048G*</b>
1350	Flange	2.000 X.120	3.12	4.25	—	5.94	32	Dodge, GM	<b>N921049</b>
1350	Flange	2.000 X.120	3.12	4.25	—	5.94	32	Dodge, GM	<b>N921049G*</b>
1350	Flange	2.500 X.095	2.16	3.94	—	5.94	32	Jeep - Front	<b>N921056</b>
1350	Flange	2.500 X.095	2.16	3.94	—	5.94	32	Jeep - Front	<b>N921056G*</b>
1350	Flange	2.500 X.095	3.12	4.25	—	5.94	32	Dodge - Front	<b>N921050</b>
1350	Flange	2.500 X.095	3.12	4.25	—	5.94	32	Dodge - Front	<b>N921050G*</b>
1350	Flange	2.750 X.083	2.00	4.25	—	5.97	32	Ford - Front	<b>N921052</b>
1350	Flange	2.750 X.083	2.00	4.25	—	5.97	32	Ford - Front	<b>N921052G*</b>
1350	Flange	3.000 X.083	2.00	4.25	—	5.97	32	Ford - Front	<b>N921053</b>
1350	Flange	3.000 X.083	2.00	4.25	—	5.97	32	Ford - Front	<b>N921053G*</b>
1350	Flange	3.500 X.083	2.68	4.25	—	6.00	32	Ford - Rear	<b>N921054</b>
1350	Flange	3.500 X.083	2.68	4.25	—	6.00	32	Ford - Rear	<b>N921054G*</b>
<b>1410 Series</b>									
1410	Flange	2.500 X.120	3.12	4.25	—	7.32	22	Ram - Front	<b>N924141G*</b>
1410	Flange	2.500 X.120	3.12	4.25	—	7.32	30	Ram - Front	<b>N924141HAG*</b>
1410	Flange	2.750 X.083	2.68	4.25	—	7.70	30	Ford - Front	<b>N924142HAG*</b>
1410	Flange	2.500 X.120	2.68	4.25	—	7.32	30	Ford - Front	<b>N924143HAG*</b>

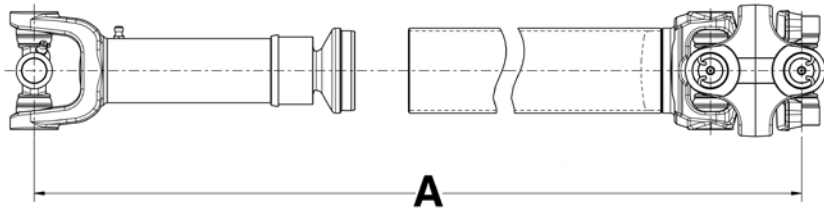
\* Part numbers with G suffix have Gold Series lube-for-life universal joints.

# 4x4 Quick Reference

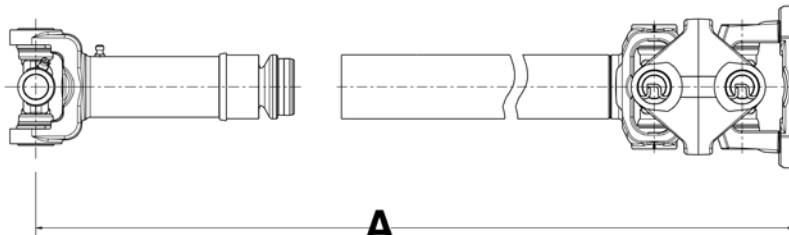
## DRIVE SHAFT - DIAGRAMS



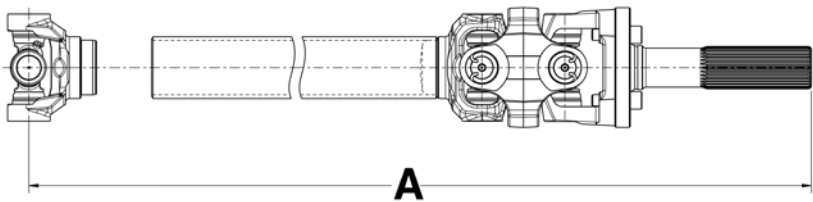
**Type 4**



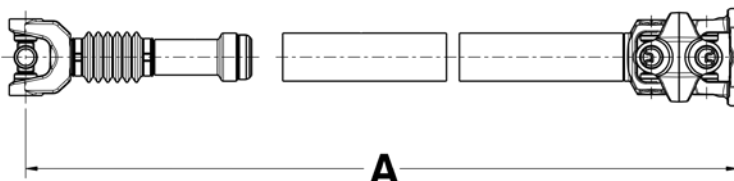
**Type 7**



**Type 8**



**Type 9**



**Type 14**

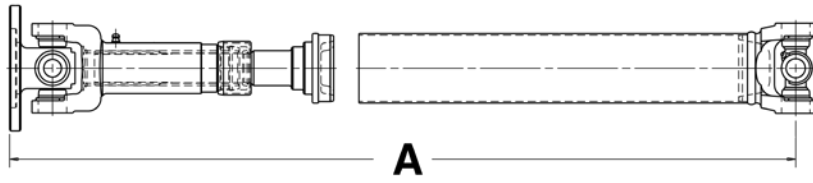
## 4x4 Quick Reference

### UNWELDED DRIVE SHAFT KITS

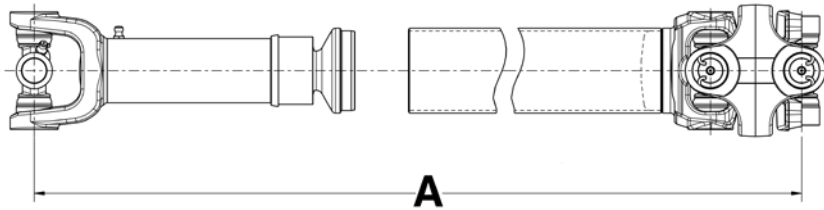
DL Series	Driveshaft Style	Tube Size	A Maximum Extended Length	A Compressed Length	Double Cardan CV Head	Universal Joint	Part Number
<b>1310 Series</b>							
1310	Unwelded CV-7	2.000 X.120	45.94	42.84	N912777	1-0153/ 1-0154	<b>N909365-2600</b>
1310	Unwelded CV-7	2.500 X.083	48.32	44.19	N912747	1-0153/ 1-0154	<b>N909363-2600</b>
1310	Unwelded CV-7	2.500 X.083	48.32	44.19	N912747G*	1-0153G	<b>N909363G-2600</b>
<b>1310/1350 Series</b>							
1310/ 1350	Unwelded CV-8	2.000 X.120	37.38	34.28	N921049	1-0153/ 2-0052	<b>S91397-2000</b>
<b>1330 Series</b>							
1330	Unwelded CV-7	2.500 X.083	42.91	38.75	N910811	2-4900/ 2-4801	<b>N911818-2600</b>
<b>1330/1350 Series</b>							
1330/ 1350	Unwelded CV-8	2.500 X.095	36.02	33.35	N921056	2-4800/ 2-0052	<b>N921056X-2000</b>
1330/ 1350	Unwelded CV-8	2.500 X.095	38.06	35.18	N921050	2-4800/ 2-0052	<b>N921050-2000</b>
<b>1350 Series</b>							
1350	Unwelded CV-14	2.500 X.095	36.95	35.45	N921050G*	2-0053G	<b>N921050G-2010</b>
1350	Unwelded CV-8	2.500 X.095	38.06	35.18	N921050	2-0053/ 2-0052	<b>N921050-2007</b>
1350	Unwelded CV-8	2.750 X.083	48.34	44.5	N921052	2-0053/ 2-0052	<b>N921052-3000</b>
1350	Unwelded CV-8	2.750 X.083	48.34	44.5	N921052G*	2-0053G	<b>N921052G-3000</b>
1350	Unwelded CV-8	3.500 X.083	66.16	62.91	N921054	2-0053/ 2-0052	<b>N921054-4800</b>
<b>1410 Series</b>							
1410	Unwelded CV-14	2.500 X.120	37.55	36.05	N924141G*	2-0054G	<b>N924141G-2013</b>
<b>1410/1350 Series</b>							
1410/ 1350	Unwelded CV-8	3.500 X.083	66.7	63.26	N921054	2-0054/ 2-0052	<b>N921054-4801</b>

# 4x4 Quick Reference

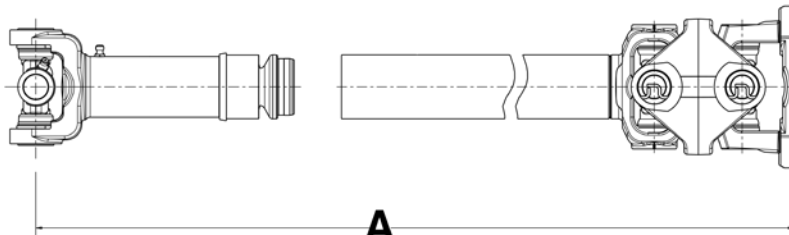
## DRIVE SHAFT - DIAGRAMS



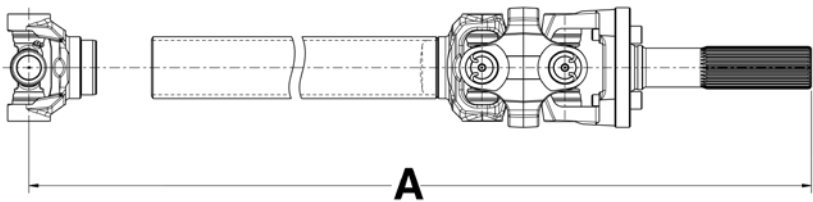
**Type 4**



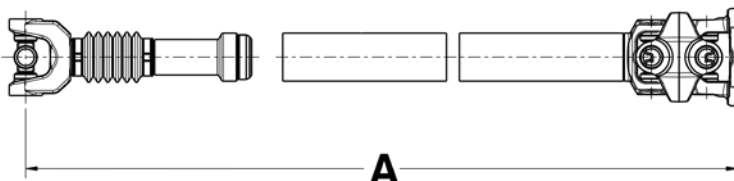
**Type 7**



**Type 8**



**Type 9**



**Type 14**

## 4x4 Quick Reference

### UNWELDED DRIVE SHAFT KITS (Cont'd)

DL Series	Driveshaft Style	Tube Size	A Maximum Extended Length	A Compressed Length	Double Cardan CV Head	Universal Joint	Part Number
<b>3R Series</b>							
3R	Unwelded-4	2.750 X.065	32.56	29.44	—	2-3011	<b>S91397-2003</b>
<b>3R/1310 Series</b>							
3R/ 1310	Unwelded-9	2.000 X.120	43.81	—	N913601	3-3130/ 1-0154	<b>N131138-3000</b>
<b>3R/1350 Series</b>							
3R/ 1350	Unwelded CV-8	2.500 X.095	37.94	35.44	N921050	2-3011/ 2-0052	<b>N921050-2003</b>
<b>7260/1350 Series</b>							
7260/ 1350	Unwelded CV-8	2.000 X.120	37.38	33.95	N921049	1-6301/ 2-0052	<b>S91397-2001</b>
<b>7290/1350 Series</b>							
7290/ 1350	Unwelded CV-8	2.000 X.120	37.06	34.12	N921049	2-1175/ 2-0052	<b>S91397-2002</b>





NEAPCO  
**Silver**  
SERIES

## RE-LUBEABLE UNIVERSAL JOINTS

NEAPCO Silver Series Universal Joints:

- Light and medium duty universal joints
- Re-lubeable feature
  - *Excellent choice for 4x4 and extreme duty applications*
- Meets NEAPCO's design and performance standards
- Covered by NEAPCO's warranty
- Backed by NEAPCO's superior customer service





Neapco Components, LLC  
Box 399, 740 Queen Street  
Pottstown, PA 19464-0399

610-323-6000

[www.neapcocomponents.com](http://www.neapcocomponents.com)

DISTRIBUTED BY:

A large white rectangular box intended for a distributor's name and contact information.

*The Driveline Company Since 1924*