

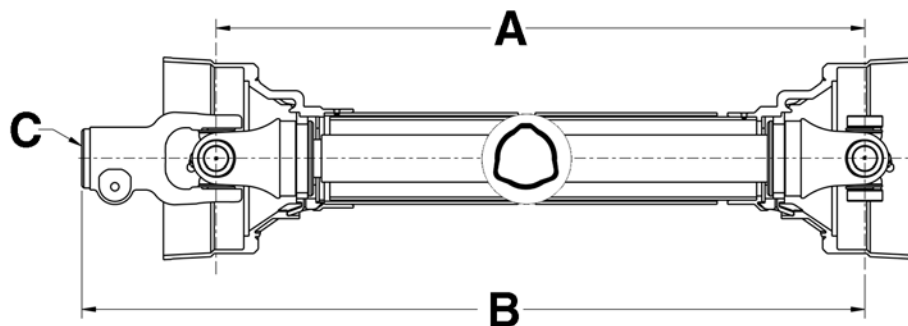


Product Announcement

New PTO Drive Shaft Assemblies

METRIC

Replacement driveshafts for Bondioli and Pavesi Metric series 2 through 8



Part Number	A Compressed Length		B Compressed Length		C Tractor QD Pin yoke Bore	Metric Series	Reference Universal Joint
	mm	in.	mm	in.			
8-0100	1010	39.76	1107	43.58	1.375 X 6 Spl	2	1-0221
8-0101	1310	51.57	1407	55.39	1.375 X 6 Spl	2	1-0221
8-0102	1060	41.73	1162	45.75	1.375 X 6 Spl	3	1-0321
8-0103	1360	53.54	1462	57.56	1.375 X 6 Spl	3	1-0321
8-0104	1060	41.73	1169	46.02	1.375 X 6 Spl	4	1-0421
8-0105	1360	53.54	1469	57.83	1.375 X 6 Spl	4	1-0421
8-0106	1010	39.76	1122	44.17	1.375 X 6 Spl	5	2-0521
8-0107	1310	51.57	1422	55.98	1.375 X 6 Spl	5	2-0521

Warning: The inner profile tube must engage the outer profile tube 1/2 it's overall length at the maximum extended position.

OVER -Continued on next page!

NEAPCO Components, LLC 740 Queen St. Pottstown, PA 19464

Phone: 800-821-2374

E-mail: hd@neapco.com

Innovative Drivetrain Solutions™

Fax: 610-326-2002

Web site: www.neapco.com

©2009 NEAPCO Components, LLC

9901204

12/2009

1

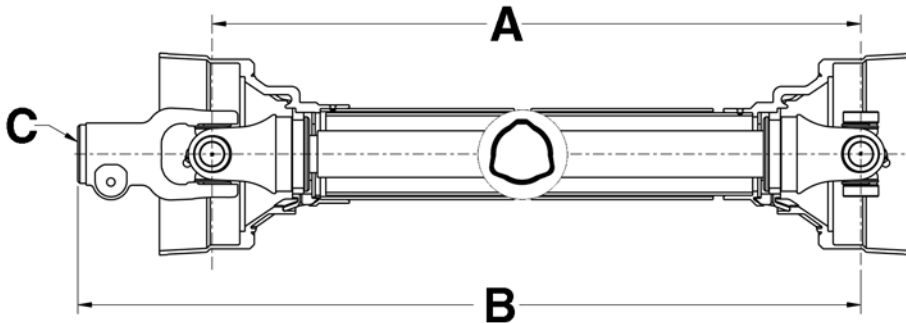


Product Announcement

New PTO Drive Shaft Assemblies (cont'd)

METRIC

Replacement driveshafts for Bondioli and Pavesi Metric series 2 through 8



Part Number	A Compressed Length		B Compressed Length		C Tractor QD Pin yoke Bore	Metric Series	Reference Universal Joint
	mm	in.	mm	in.			
8-0108	1010	39.76	1132	44.57	1.375 X 6 Spl	6	3-0621
8-0109	1310	51.57	1432	56.38	1.375 X 6 Spl	6	3-0621
8-0110	1010	39.76	1132	44.57	1.375 X 6 Spl	7	3-0721
8-0111	1310	51.57	1432	56.38	1.375 X 6 Spl	7	3-0721
8-0112	960	37.80	1085	42.72	1.375 X 6 Spl	8	3-0821
8-0113	1260	49.61	1385	54.53	1.375 X 6 Spl	8	3-0821

Warning: The inner profile tube must engage the outer profile tube 1/2 it's overall length at the maximum extended position.

NEAPCO Components, LLC 740 Queen St. Pottstown, PA 19464

Phone: 800-821-2374

E-mail: hd@neapco.com

Innovative Drivetrain Solutions™

Fax: 610-326-2002

Web site: www.neapco.com

©2009 NEAPCO Components, LLC

9901204

12/2009

2

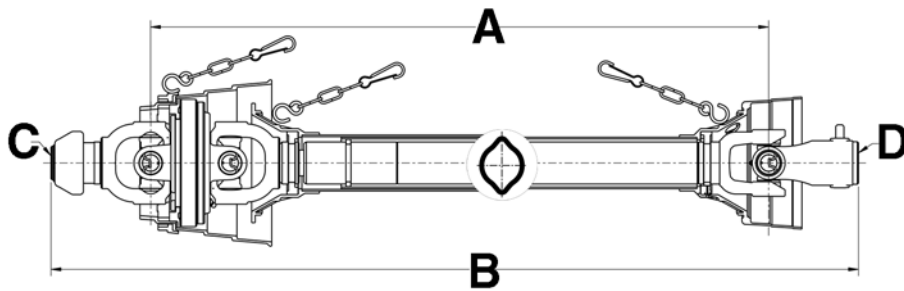


Product Announcement

New PTO CV Drive Shaft Assembly

METRIC — W50

Replacement 80 degree W50 CV driveshafts for Walterscheid series 2480



Part Number	A Compressed Length		B Compressed Length		C Tractor QD Collar yoke Bore	D Implement QD Pin yoke Bore	Metric Series
	mm	in.	mm	in.			
8-0200	1310	51.57	1539	60.59	1.375 X 6 Spl	1.375 X 6 Spl	Walterscheid 2480
8-0201	1310	51.57	1539	60.59	1.375 X 21 Spl	1.375 X 6 Spl	Walterscheid 2480
8-0202	1310	51.57	1539	60.59	1.750 X 20 Spl	1.750 X 20 Spl	Walterscheid 2480

Warning: The inner profile tube must engage the outer profile tube 1/2 it's overall length at the maximum extended position.

Note: 2480 series is the 80 degree CV designation for Walterscheid 2400 series.

NEAPCO Components, LLC 740 Queen St. Pottstown, PA 19464

Phone: 800-821-2374

E-mail: hd@neapco.com

Innovative Drivetrain Solutions™

Fax: 610-326-2002

Web site: www.neapco.com

©2009 NEAPCO Components, LLC

9901219

12/2009

1

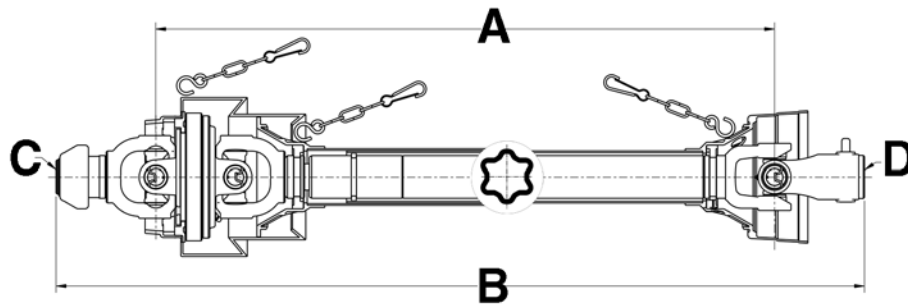


Product Announcement

New PTO CV Drive Shaft Assembly

METRIC — W65

Replacement 80 degree W65 CV driveshafts for Walterscheid series 2580



Part Number	A Compressed Length		B Compressed Length		C Tractor QD Collar yoke Bore	D Implement QD Pin yoke Bore	Metric Series
	mm	in.	mm	in.			
8-0203	1310	51.57	1556	61.26	1.375 X 6 Spl	1.375 X 6 Spl	Walterscheid 2580
8-0204	1310	51.57	1556	61.26	1.375 X 21 Spl	1.375 X 6 Spl	Walterscheid 2580
8-0205	1310	51.57	1556	61.26	1.750 X 20 Spl	1.750 X 20 Spl	Walterscheid 2580

Warning: The inner profile tube must engage the outer profile tube 1/2 it's overall length at the maximum extended position.

Note: 2580 series is the 80 degree CV designation for Walterscheid 2500 series.

NEAPCO Components, LLC 740 Queen St. Pottstown, PA 19464

Phone: 800-821-2374

E-mail: hd@neapco.com

Innovative Drivetrain Solutions™

Fax: 610-326-2002

Web site: www.neapco.com

©2009 NEAPCO Components, LLC

9901220

12/2009

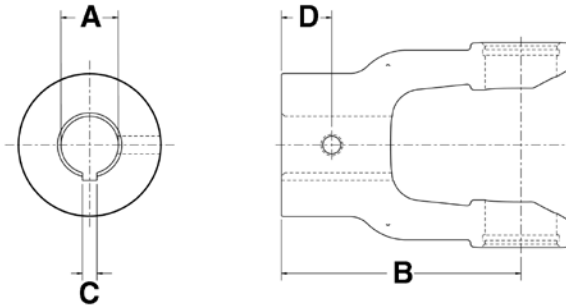
1



Product Announcement

New PTO Implement Yoke

METRIC — Round Bore Keyway



Part Number	A Bore	B Length		C Keyway width	Set screw thread	D Set screw dist. to end		Series ¹	Ref. U-Joint
		mm	in.			mm	in.		
8-0500	30 mm	79	3.11	10 mm	M10	15	0.59	B & P 1	1-0121
8-0518	25 mm	79	3.11	8 mm	M10	15	0.59	W 2100	1-1001
8-0519	30 mm	79	3.11	8 mm	M10	15	0.59	W 2100	1-1001
8-0509	25 mm	82	3.23	8 mm	M10	20	0.79	B & P 2, W 2200	1-0221
8-0508	1.125 in.	82	3.23	.25 in.	.375 - 16	20	0.79	B & P 2, W 2200	1-0221
8-0510	30mm	82	3.23	8 mm	M10	20	0.79	B & P 2, W 2200	1-0221
8-0507	1.375 in.	82	3.23	.312 in.	.375 - 16	20	0.79	B & P 2, W 2200	1-0221
8-0511	1.188 in.	85	3.35	.312 in.	.375 - 16	20	0.79	B & P 3, W I	1-0321

Series¹ B&P = Bondioli & Pavesi
Series¹ W = Walterscheid

OVER -Continued on next page!

NEAPCO Components, LLC 740 Queen St. Pottstown, PA 19464

Phone: 800-821-2374

E-mail: hd@neapco.com

Innovative Drivetrain Solutions™

Fax: 610-326-2002

Web site: www.neapco.com

©2009 NEAPCO Components, LLC

9901217

12/2009

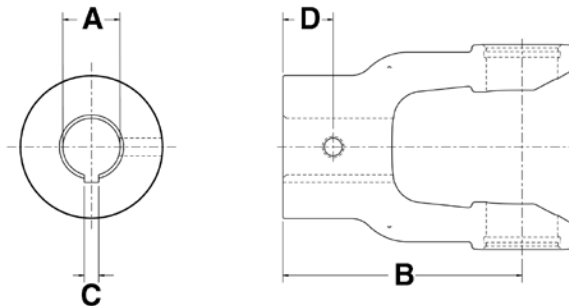
1



Product Announcement

New PTO Implement Yoke

METRIC — Round Bore Keyway



Part Number	A Bore	B Length		C Keyway width	Set screw thread	D Set screw dist. to end		Series ¹	Ref. U-Joint
		mm	in.			mm	in.		
8-0513	30 mm	98	3.86	8 mm	M10	20	0.79	B & P 4, W 2300	1-0421
8-0512	1.50 in.	98	3.86	.375 in.	.375 - 16	20	0.79	B & P 4, W 2300	1-0421
8-0505	40 mm	96	3.78	12 mm	M12	20	0.79	W 2400	2-2421
8-0501	1.50 in.	96	3.78	.375 in.	.375 - 16	20	0.79	B & P 5	2-0521
8-0506	35 mm	105	4.13	10 mm	M12	25	0.98	W 2500	3-2521
8-0514	1.50 in.	105	4.13	.375 in.	.375 - 16	20	0.79	B & P 6, W 220	3-0621
8-0516	40 mm	105	4.13	12 mm	M12	20	0.79	B & P 6, W 220	3-0621
8-0515	1.75 in.	105	4.13	.375 in.	.375 - 16	20	0.79	B & P 6, W 220	3-0621
8-0502	2.00 in.	120	4.72	.50 in.	.375 - 16	25	0.98	B & P 8	3-0821
8-0503	1.375 in.	130	5.12	.312 in.	.375 - 16	25	0.98	B & P 9	3-0921
8-0504	1.50 in.	130	5.12	.375 in.	.375 - 16	25	0.98	B & P 9	3-0921

NEAPCO Components, LLC 740 Queen St. Pottstown, PA 19464

Phone: 800-821-2374
E-mail: hd@neapco.com

Innovative Drivetrain Solutions™

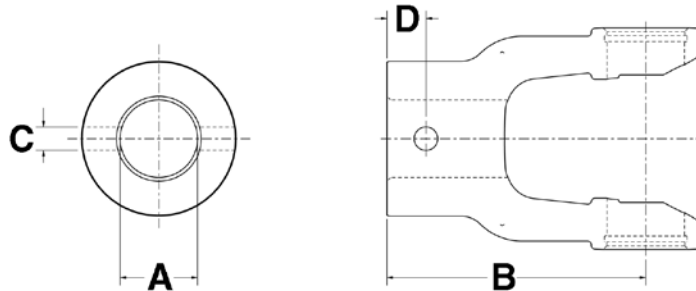
Fax: 610-326-2002
Web site: www.neapco.com



Product Announcement

New PTO Implement Yoke

METRIC — Round Bore Shear Bolt



Part Number	A Bore	B Length		C Bolt hole dia.	D Bolt hole dist. to end mm		Series ¹	Ref. U-Joint
		mm	in.		mm	in.		
8-0517	1.25 in.	79	3.11	.375 in.	15	0.59	B & P 1	1-0121
8-0521	1.25 in.	82	3.23	.375 in.	15	0.59	B & P 2, W 2200	1-0221
8-0522	1.375 in.	82	3.23	.375 in.	15	0.59	B i& P 2, W 2200	1-0221
8-0524	25 mm	85	3.35	8 mm	20	0.79	B & P 3, W I	1-0321
8-0525	30 mm	85	3.35	10 mm	20	0.79	B & P 3, W I	1-0321
8-0523	1.25 in.	85	3.35	.375 in.	20	0.79	B & P 3, W I	1-0321
8-0527	30 mm	98	3.86	10 mm	20	0.79	B & P 4, W 2300	1-0421
8-0526	1.25 in.	98	3.86	.375 in.	20	0.79	B & P 4, W 2300	1-0421
8-0520	40 mm	96	3.78	13 mm	20	0.79	W 2400	2-2421
8-0528	1.25 in.	105	4.13	.375 in.	20	0.79	B & P 6, W 220	3-0621

Series¹ B&P = Bondioli & Pavesi

Series¹ W = Walterscheid

NEAPCO Components, LLC 740 Queen St. Pottstown, PA 19464

Phone: 800-821-2374

E-mail: hd@neapco.com

Innovative Drivetrain Solutions™

Fax: 610-326-2002

Web site: www.neapco.com

©2009 NEAPCO Components, LLC

9901218

12/2009

1

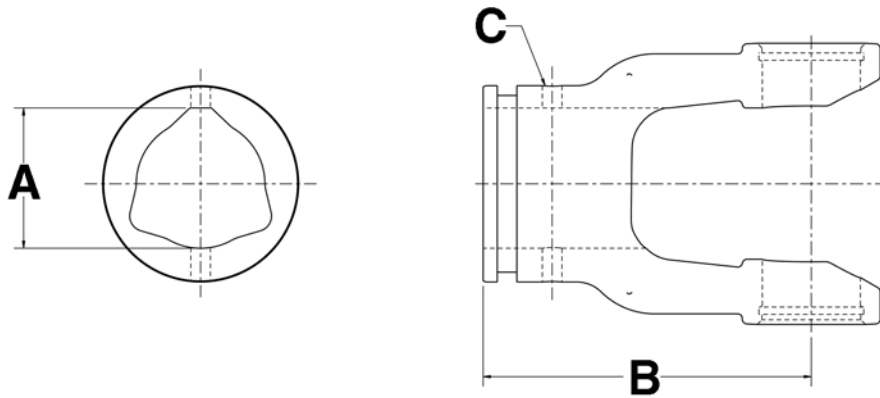


Product Announcement

New PTO Inner/Outer Profile Yoke

METRIC

Replacement Bondioli and Pavesi Metric series 9 Inner and Outer Profile Yokes



Part Number	Type	A Bore mm		B Length		C Tube pin hole		Ref. tube pin part number	Ref. profile tube	Metric Series	Ref. U-Joint
		mm	in.	mm	in.	mm	in.				
8-0600	Inner Profile	54	2.13	130	5.12	12	0.47	50-1280	70-0704	9	3-0921
8-0650	Outer Profile	63	2.48	130	5.12	12	0.47	50-1280	70-0804	9	3-0921

NEAPCO Components, LLC 740 Queen St. Pottstown, PA 19464

Phone: 800-821-2374

E-mail: hd@neapco.com

Innovative Drivetrain Solutions™

Fax: 610-326-2002

Web site: www.neapco.com

©2009 NEAPCO Components, LLC

9901214

12/2009

1

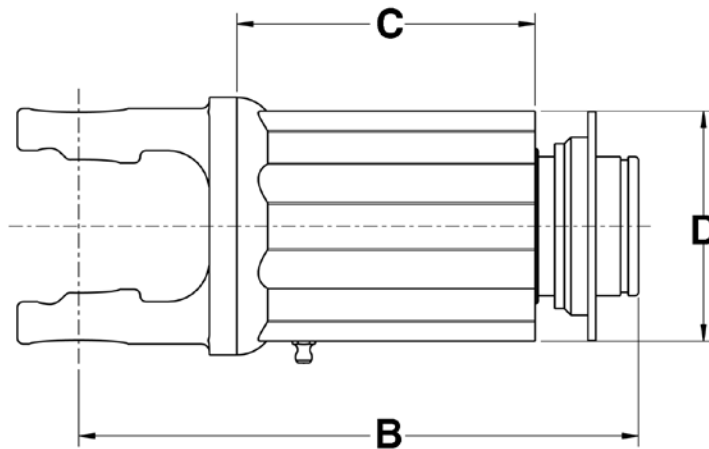


Product Announcement

New PTO Over Running Clutch Yoke

METRIC

Metric series Over Running Clutch Yokes, QD Collar type



Note: Right hand rotation

Part Number	Bore	B Length		C Housing length		D Housing diameter		Series ¹	Ref. U-Joint
		mm	in.	mm	in.	mm	in.		
8-0451	1.375 X 6 Spl	154	6.06	54	2.13	91	3.58	B & P 4, W 2300	1-0421
8-0450	1.375 X 6 Spl	157	6.18	54	2.13	91	3.58	W 2400	2-2421
8-0452	1.375 X 6 Spl	167	6.57	54	2.13	91	3.58	B & P 6, W 220	3-0621

Series¹ B&P = Bondioli & Pavesi

Series¹ W = Walterscheid

NEAPCO Components, LLC 740 Queen St. Pottstown, PA 19464

Phone: 800-821-2374

E-mail: hd@neapco.com

Innovative Drivetrain Solutions™

Fax: 610-326-2002

Web site: www.neapco.com

©2009 NEAPCO Components, LLC

9901216

12/2009

1

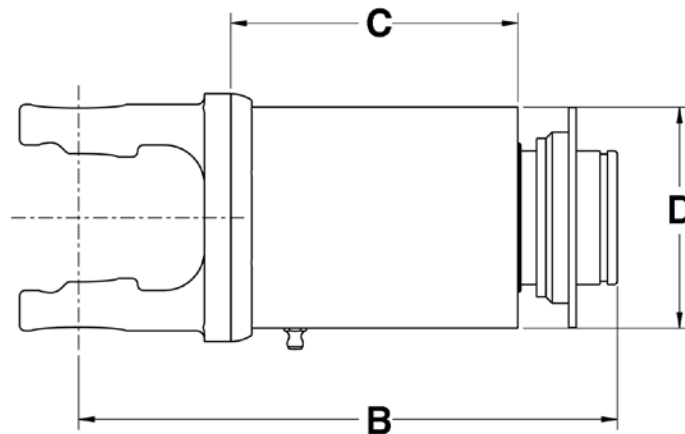


Product Announcement

New PTO Radial Pin Clutch Yoke

METRIC

Metric series Radial Pin Clutch Yokes, QD Collar type



Part Number	Bore	B Length		C Housing Length		D Housing Diameter		Torque Rating		Series ¹	Ref. U-Joint
		mm	in.	mm	in.	mm	in.	Nm	Ft lb		
8-0403	1.375 X 6 Spl	138	5.43	57	2.24	95	3.74	600	442.5	B&P 2, W 2200	1-0221
8-0400	1.375 X 6 Spl	142	5.59	57	2.24	95	3.74	600	442.5	B&P 3, W I	1-0321
8-0401	1.375 X 6 Spl	142	5.59	57	2.24	95	3.74	600	442.5	B&P 4, W 2300	1-0421
8-0402	1.375 X 6 Spl	165	6.50	76	2.99	95	3.74	900	663.8	B&P 5	2-0521

Series¹ B&P = Bondioli & Pavesi

Series¹ W = Walterscheid

NEAPCO Components, LLC 740 Queen St. Pottstown, PA 19464

Phone: 800-821-2374

E-mail: hd@neapco.com

Innovative Drivetrain Solutions™

Fax: 610-326-2002

Web site: www.neapco.com

©2009 NEAPCO Components, LLC

9901215

12/2009

1

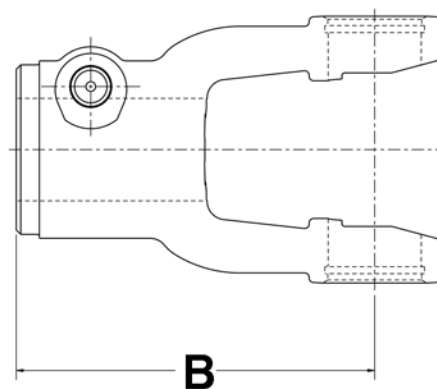
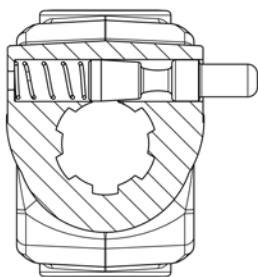


Product Announcement

New PTO Tractor Yoke

METRIC

Replacement Bondioli & Pavesi Metric series 6 and 9 Pin Type Quick Disconnect Tractor Yokes



Part Number	Bore	B Length		Metric Series	Reference Universal Joint
		mm	in.		
8-0303	1.750 X 20 Spl	122	4.80	6	3-0621
8-0300	1.375 X 6 Spl	126	4.96	9	3-0921
8-0301	1.750 X 20 Spl	126	4.96	9	3-0921
8-0302	1.375 X 21 Spl	126	4.96	9	3-0921

NEAPCO Components, LLC 740 Queen St. Pottstown, PA 19464

Phone: 800-821-2374

E-mail: hd@neapco.com

Innovative Drivetrain Solutions™

Fax: 610-326-2002

Web site: www.neapco.com

©2009 NEAPCO Components, LLC

9901213

12/2009

1



New Part Announcement

56-0200 PTO Slide Collar Quick Disconnect Repair Kit



The 56-0200 Slide Collar kit is a service part utilized to repair the tractor attaching yoke on all our metric 80 degree CV shaft assemblies. The following CV shaft assemblies would have this slide collar on the tractor end: 8-0200, 8-0201, 8-0202, 8-0203, 8-0204 and 8-0205. In addition to servicing the metric CV assemblies, this repair kit will fit all Benzi Di Terlizzi slide collar Q.D. yokes with 1.375-6 spline and 1.375-21 spline.

NEAPCO Components, LLC 740 Queen St. Pottstown, PA 19464

Phone: 800-821-2374

E-mail: hd@neapco.com

©2011 NEAPCO Components, LLC

Innovative Drivetrain Solutions™

9901298

Fax: 610-326-3857

Web site: www.neapco.com

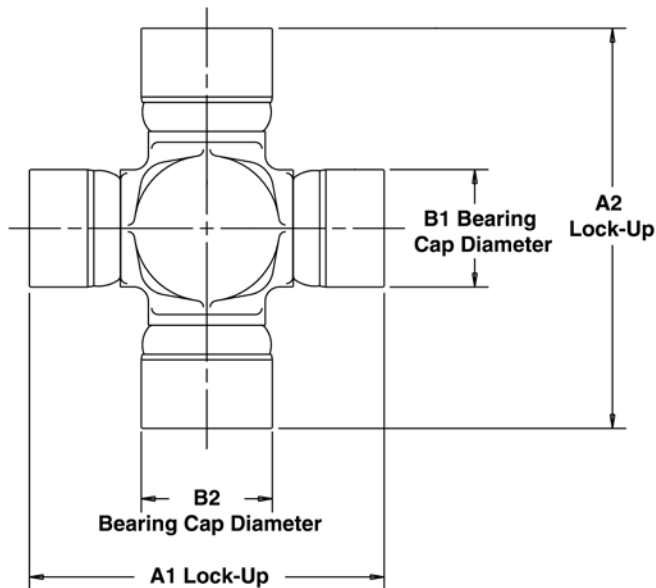
06/2011

1



New Part Announcement

New Metric Universal Joints *2-2480 & 3-2580*



The 2-2480 and 3-2580 universal joints are service replacement parts for the 80 degree CV head on the W50 and W65 PTO CV Drive Shaft Assemblies.

W50 - Part numbers 8-0200, 8-0201, and 8-0202 utilize two 2-2480 universal joints per assembly.

W65 - Part numbers 8-0203, 8-0204, and 8-0205 utilize two 3-2580 universal joints per assembly.

Part Number	Yoke Lock-up	Bearing Diameter	Bearing Type	Lube Fitting	U-Joint Series
2-2480	2.561 (O)	1.260	Round	In	WALTERSCHEID 2480
	3.859 (O)	1.063	OSR	Cross	
3-2580	3.504 (O)	1.417	Round	In Cross & Bearing	WALTERSCHEID 2580
	4.330 (O)	1.260	OSR		

NEAPCO Components, LLC 740 Queen St. Pottstown, PA 19464

Phone: 800-821-2374

E-mail: hd@neapco.com

Innovative Drivetrain Solutions™

Fax: 610-326-3857

Web site: www.neapco.com

©2011 NEAPCO Components, LLC

9901299

06/2011

1